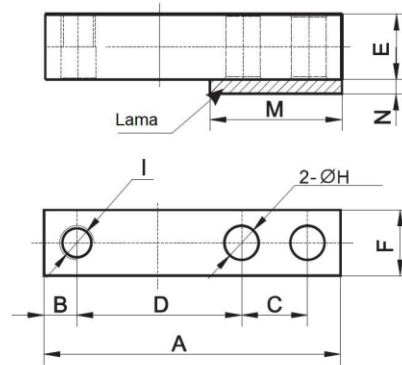


Turkter8



Capacity	A	B	C	D	E	F	H	M	N	I
2t	130	12,7	25,4	76,2	31,8	31,8	31,8	53,5	3	M16

Technical Specifications

Application	Floor scale	
Model	Turkter8	
Capacity	2t	
Rated output	MV/V	3.0±0.04
Accuracy class	C2	C3
Maximum number of verification intervals	n_{max}	2000
Minimum load cell verification intervals	V_{min}	$E_{Max}/5000$
Combined error	%RO	≤ ±0.030
Creep	%RO/30min	0.02
Temperature effect on sensitivity	%RO/°C	0.0016
Temperature effect on zero	%RO/°C	0.003
Zero balance	%RO	±1.0
Input resistance	Ω	365±10
Output resistance	Ω	350±3
Insulation resistance	MΩ (50V)	5000
Recommended excitation voltage	V	5~12
Compensated temperature range	°C	-10~+40
Operating temperature range	°C	-35~+80
Safe overload	%RO	150
Ultimate overload	%RO	200
Load cell material	Alloy steel Ip67	
	17-4PH	stainless steel IP68
Connecting cable	0.25~3t Ø5.7X3.5m	
	5~10t Ø5.7X6m	
Method of connecting wire		